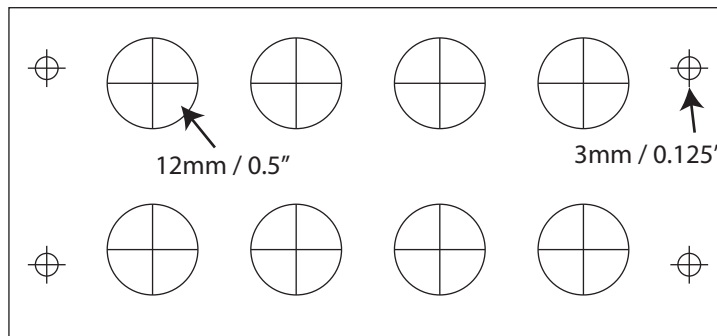


OCTOSWITCH DRILLING TEMPLATE

The 8 Large holes need to be 12 millimeters or 0.5" diameter holes
The 4 small holes need to be 3 millimeters or 0.125" diameter holes



BadassMIDI.com